

ecoHITCH - Designed Specifically For Your **Green Vehicle**

Installation Instructions

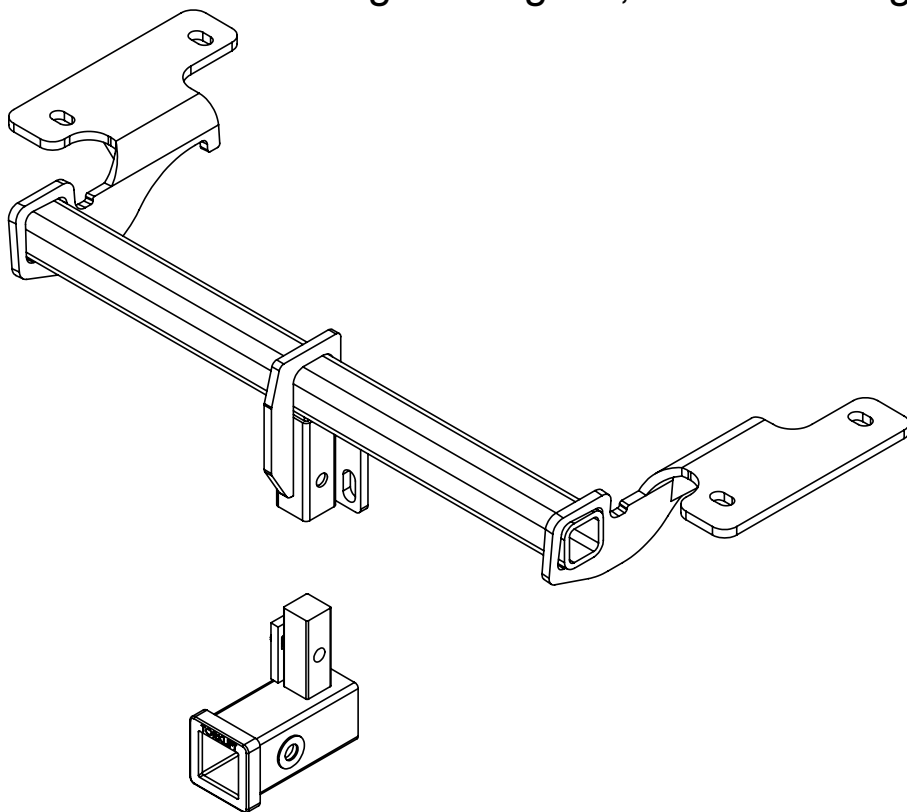
Application Fits

2008-2014 Subaru WRX & WRX STI Hatchback

X7261 & X7262

2" & 1.25" EcoHitch Invisi

200 lbs. Tongue Weight/2,000 lbs Towing Weight



Stay Connected



torkliftcentral



torkliftcentral



tlcentral



torklift central



torklift central

Torklift Central
315 Central Ave N
Kent WA, 98032
253-854-1832

www.torkliftcentral.com
support@tlcentral.com



QTY Fastener

- 4 7/16" Flat Washer
- 2 7/16" Lock Washer
- 2 7/16" Inner Tooth Lock Washer
- 2 7/16"-14 Grade 8 Hex Nut
- 2 7/16"-14x2" Grade 8 Bolt
- 2 7/16"D-1"x2" Plate Washer

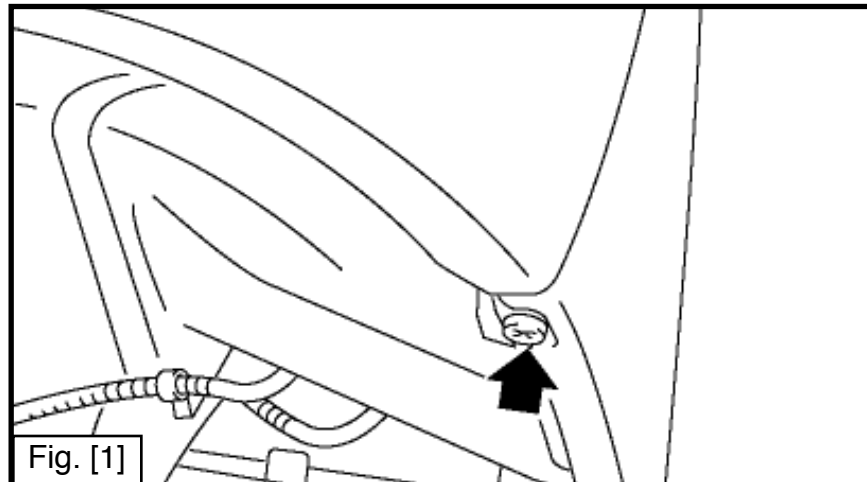
QTY Fastener

- 5 1/2" Flat Washer
- 3 1/2" Lock Washer
- 2 1/2" Inner Tooth Lock Washer
- 2 1/2"-13 Hex Nut
- 2 1/2"-13x2" Bolt
- 1 1/2"-13x2-1/2" Bolt
- 2 1/2"D 1"x2" Plate Washer
- 1 1/2" Bolt Fisher

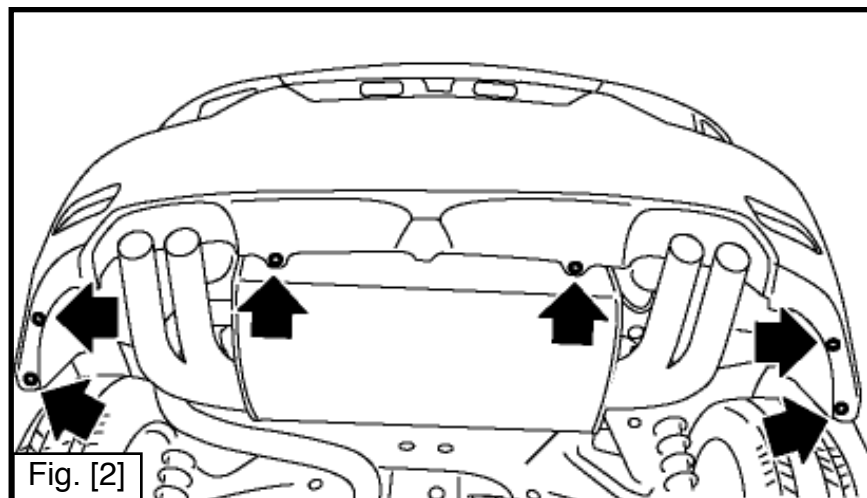
READ THESE INSTRUCTIONS THOROUGHLY AND ACCOUNT FOR ALL HARDWARE LISTED BEFORE BEGINNING INSTALLATION!

Step 1. Raise vehicle on suitable jack stands, ramps, or hoist.

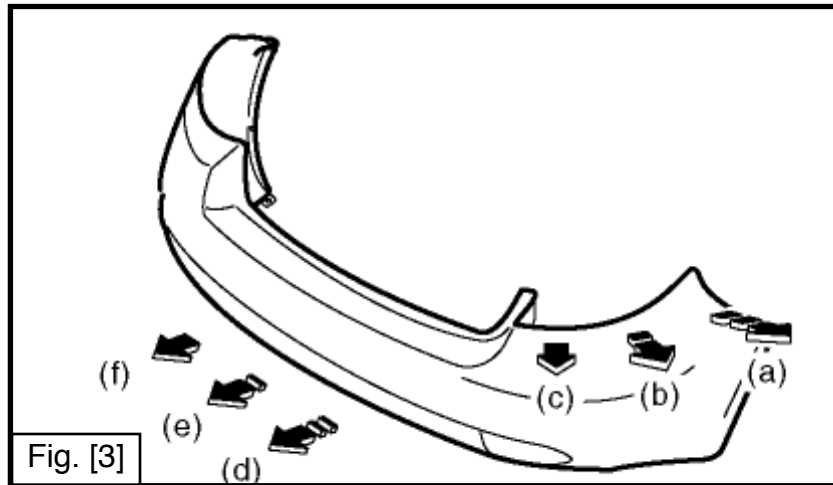
Step 2. Remove the fasteners inside the wheel housing.



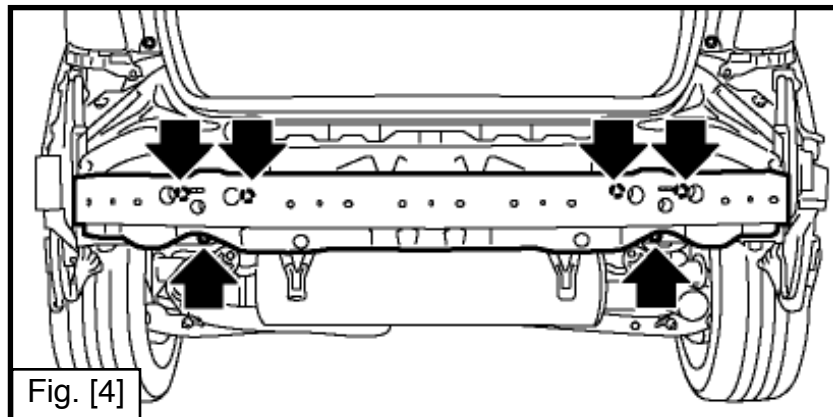
Step 3. Remove the fasteners on the lower side of rear bumper.



Step 4. Remove the rear bumper from the vehicle body by detaching from the fender side in order from (a) to (c) while pulling up on the bumper face and twisting it towards you. (Both sides). Lifting the center of bumper face upward, detach in the order from (d) to (f). Remove the reflector (Hatchback only) See Figure [3].



Step 5. Remove the impact bar by removing the (3) factory nuts on each side of the bar. See Figure [4].



Step 6. Using a silicone based lubricant or equivalent, disconnect (5) exhaust hangers at the rear of the vehicle. See Figures [5]-[9].
CAUTION! Do not let exhaust hang freely! Support the exhaust system with a block of wood or stand.



Step 6. Continued



Fig. [8]



Fig. [9]

Step 7. Remove the (2) rubber plugs from each frame rail and discard. Locate the hole in the frame closest to the front of the vehicle and feed the coil end of the 1/2" bolt fisher through the underside of the frame rail until you can reach it through the impact bar opening. Attach (1) 1/2"-13x2" bolt, (1) 1/2" inner tooth lock washer, and one 1/2"D 1"x2" plate washer to the bolt fisher coil. Pull the hardware into place in the frame rail hole. Repeat on opposite side. See Figure [10] & [11].

Step 8. In the hole closest to the impact bar opening, place (1) 7/16"-14x2" Grade 8 bolt, (1) 7/16" inner tooth lock washer, and (1) 7/16"D 1"x2" plate washer. Repeat on opposite side of the vehicle. See Figure [12].



Fig. [10]



Fig. [11]



Fig. [12]

Step 9. Raise the hitch into position on the fished hardware. Be careful not to push the hardware back into the frame rail. Secure the 1/2" hardware with (2) 1/2" flat washers, (1) 1/2" lock washer, and (1) 1/2" hex nut and hand tighten. Secure the 7/16" hardware with (2) 7/16" flat washers, (1) 7/16" lock washer, and (1) 7/16" hex nut and hand tighten. Once all bolts have been secured, torque the 1/2" hardware to 60 ft-lbs and the 7/16" hardware to 45 ft-lbs. See Figure [13].



Fig. [13]

Step 10. Replace impact bar and factory nuts. Torque factory hardware to 45 ft-lbs.

Step 11. Measure 1.25" up from the center of the bumper edge and make a mark on the bumper for reference. Trim out highlighted portion with an air saw or utility knife, following the contours of the bumper fascia. See Figure [14].

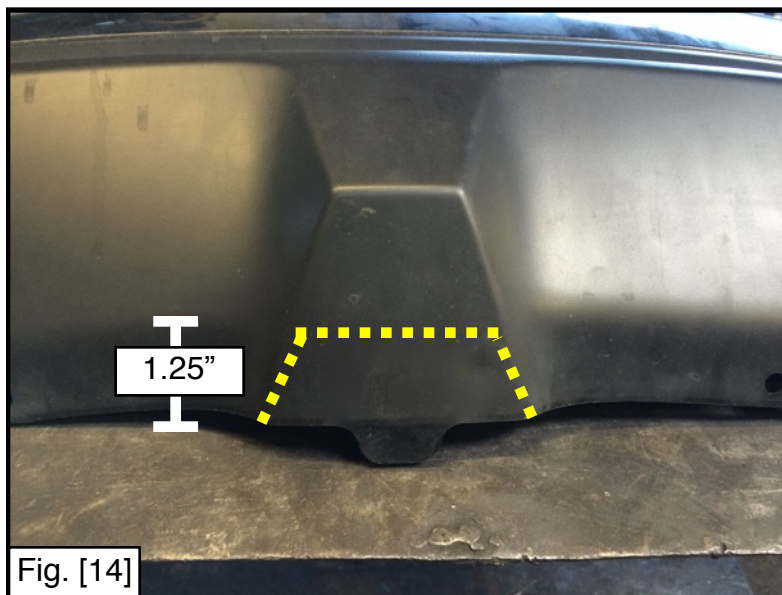
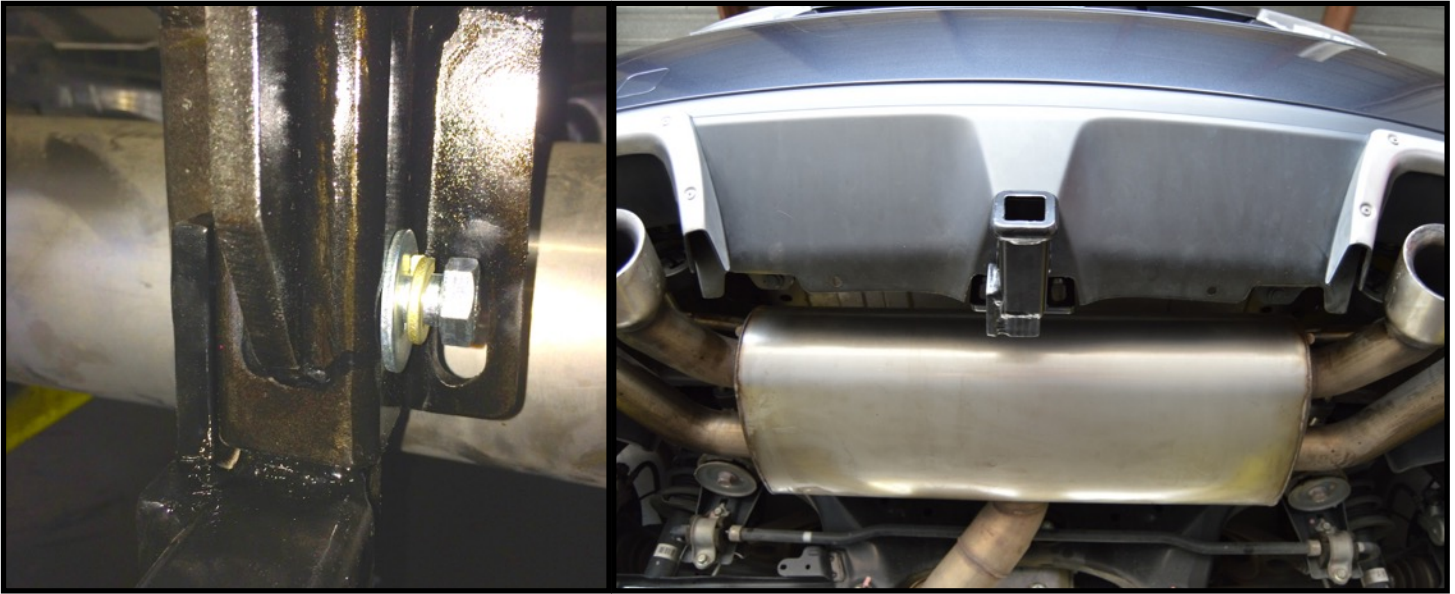


Fig. [14]

Step 12. Reinstall the bumper fascia by following these steps in reverse starting Step 6.

Step 13. Insert ball mount adapter into hitch. Take (1) 1/2"-13x2-1/2" bolt, (1) 1/2" lock washer and (1) 1/2" flat washer and thread into the ball-mount. Tighten until ball mount is tight and lock washer crushes completely. Preferred torque is 60 ft-lbs.



Congratulations on the completed installation of the 2008-2014 Subaru Impreza WRX and WRX STI Hatchback EcoHitch! It is designed with a lifetime warranty for a lifetime of enjoyment. If you have any questions or suggestions please contact our tech support at support@tlcentral.com or by phone at (253) 854-1832.



WARRANTY/DISCLAIMER INFORMATION

Torklift Central requires proof of purchase for warranty claim registration, with pictures of any defective product before issuing a replacement. Torklift will not accept claims on any product without proof of purchase, which can be faxed, scanned, emailed or mailed to the information provided below. Torklift Central warrants its hitches, custom hitch receivers and accessories (excluding electrical wire harnesses which carry a warranty from their specified manufacturer) from date of purchase against defects in material and workmanship under normal use and service for the ownership life of the original consumer purchaser. Torklift Central will replace free of charge any part that proves defective in material or workmanship when presented to Torklift Central, transportation charges prepaid by purchaser, at the address below. **This warranty is limited to defective parts replacement only. Labor charges and/or damage incurred in installation or replacement, as well as incidental and consequential damages connected therewith are excluded.** This warranty does not include normal wear and tear or the finish and paint. Rusting, cracking or peeling of the finish is also excluded. Some states do not allow the exclusion or limitation of incidental or consequential damages, so the above limitation or exclusion may not apply to you. Any damage to Torklift Central products as a result of misuse, abuse, neglect, accident, improper installation or any use violative of instructions furnished by Torklift Central will void the warranty. This warranty gives you specific legal rights and you may also have rights, which vary from state to state. With warranty service, you may be able to go to a small claims court, a state court or a federal district court.

Although Torklift Central trailer hitches are both tested and rated for towing within the specific capacity label found on each trailer hitch. Torklift Central assumes no liability for vehicle manufacturers warranty due to the use of a Torklift Central trailer hitch being used for towing behind any vehicle or using the trailer hitch in a manner that it was not designed for. Although this specific trailer hitch has a load rating, which includes trailer tongue weight, and a trailer weight carrying capacity, Torklift Central is not responsible for the voiding of any warranty on any vehicle due to factory towing limitations. All vehicle warranties are the sole property and responsibility of the owner of the vehicle that the Torklift Central trailer hitch is installed upon. Torklift Central does not endorse towing behind any vehicle if the vehicles manufacturer states that towing is not recommended. Check your vehicle's owner's manual for the proper tow rating of your vehicle.

ADDRESS: 315 Central Ave N. Kent, WA 98032

WARNING Your vehicle may have a lower tow rating than this trailer hitch. If your vehicle's tow rating is less than the rated towing capacity on your Torklift Central trailer hitch, your trailer hitch capacity is limited to your vehicle's factory rated towing capacity.

FOR EXAMPLE: the label on your Torklift Central trailer hitch states it's capacity is rated for 500 pounds tongue weight and 5,000 pounds towing weight. However your vehicle's factory rated towing capacity is limited to only 350 pounds tongue weight and 3,500 pounds towing weight. In this example your maximum towing capacity of your Torklift Central trailer hitch is limited to 350 pounds tongue weight and 3,500 pounds towing weight as stated by your vehicle's maximum factory tow rating.

DANGER Never exceed your vehicle's manufacturer's recommended towing capacity which may be a lower rating than this trailer hitch

Unsure of your tow rating? Download our towing app from the app store to find your vehicles tow rating.
www.torkliftcentral.com/app.php